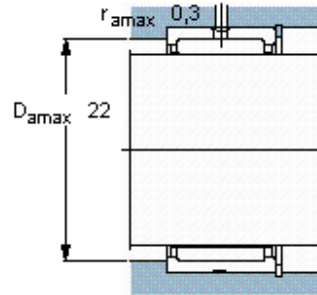
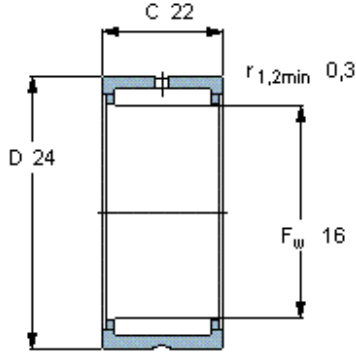


Needle roller bearings, with machined rings, with flanges, without an inner ring

Principal dimensions			Basic load ratings		Speed ratings	Limiting speed	Designation
F <sub>w</sub>	D	C	dynamic C	static C <sub>0</sub>	Reference speed		
mm			kN		r/min		-
<b>16</b>	24	22	16,1	23,2	22000	26000	<b>RNA 6901</b>



**Appropriate seals**

G seal  
SD seal  
CR seal

G 16x24x3  
SD 16x24x3  
-